

PRODUCT DATA SHEET

2024-02-08



Article number:

4005626401SSS

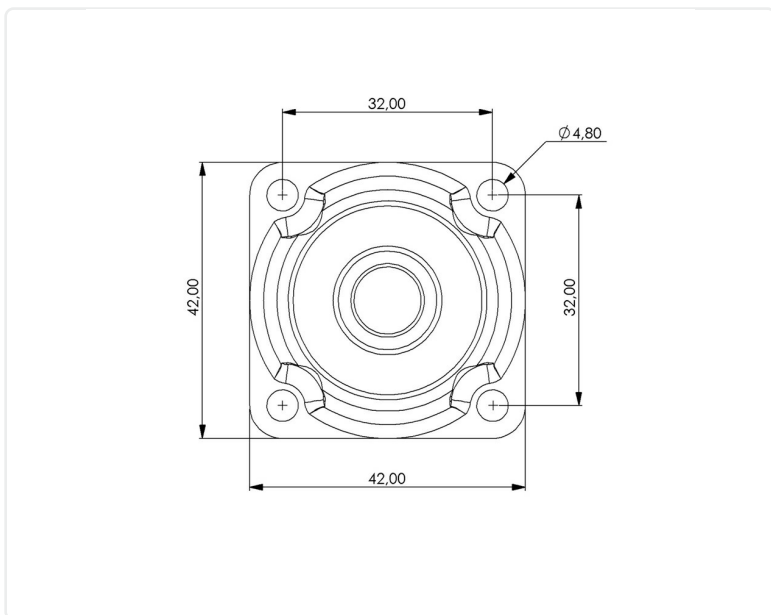
Braked castor 50 mm, TPU-tyre

Swivel bracket with wheel brake. Made of zinc-chromatized pressed sheet metal with double ball race swivel. Top plate fitting. Black laquered. Riveted wheel axle. Wheel with black TPU-tyre. Hub made of black PP. Plain bearing.



Image may differ from the actual product.*

DIMENSIONS



SPECIFICATIONS

Diameter	50 mm
Total height	64 mm
Load Capacity (dynamic)	40 kg
Castor model	Brake
Fitting	Top plate
Material Tread	Polyurethane
Bearing	Rivet
Thread hardness (Shore°)	98° Shore A
Brake	Wheel brake
Width of tread	20 mm
Material Hub	Polypropylen (pp)
Wheel Pattern	EN 12530
Painted Housing	Black
Color Tread	Black
Material Type	RoHS (EU) - Approved
Teststandard	EN 12530
Offset	17,5 mm
Material Thickness Bracket	1,5 mm
Swivel radius	65 mm
Product Weight	0,12 kg
Temperature Range	-20°C to +50°C

Numeric values in the technical specification can be nominal/rounded to the nearest standard dimension. To see exact values, please use the drawing.