

PRODUCT DATA SHEET

2025-02-07



Article number:

5B08660722V2

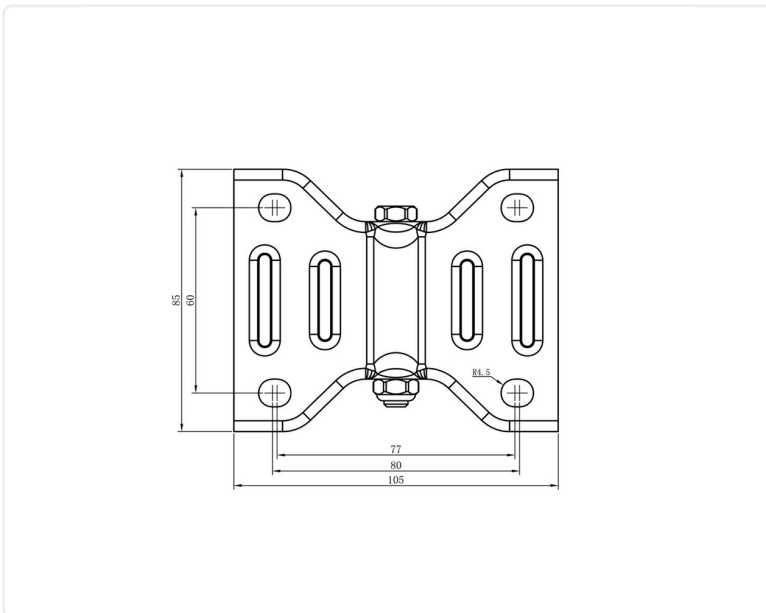
Fixed castor 80 mm, PP-wheel

Fixed bracket made of zinc-chromatized pressed sheet metal. Top plate fitting. Wheel axle with nut. Wheel made of white PP. Plain bearing.



Image may differ from the actual product.*

DIMENSIONS



SPECIFICATIONS

Diameter	80 mm
Total height	108 mm
Load Capacity (dynamic)	120 kg
Fitting	Top plate
Material Tread	Polypropylene (PP)
Plate Size	105x85 mm
CC Distance	80x60 mm
Thread hardness (Shore°)	65° Shore D
Width of tread	30 mm
Material Hub	Polypropylen (pp)
Top Hole	9 mm
Color Tread	White
Material Thickness Bracket	2,5 mm
Temperature Range	-10°C to +60°C

Numeric values in the technical specification can be nominal/rounded to the nearest standard dimension. To see exact values, please use the drawing.